

190-491-190 36" Snow Thrower (1987)
Chute Assembly

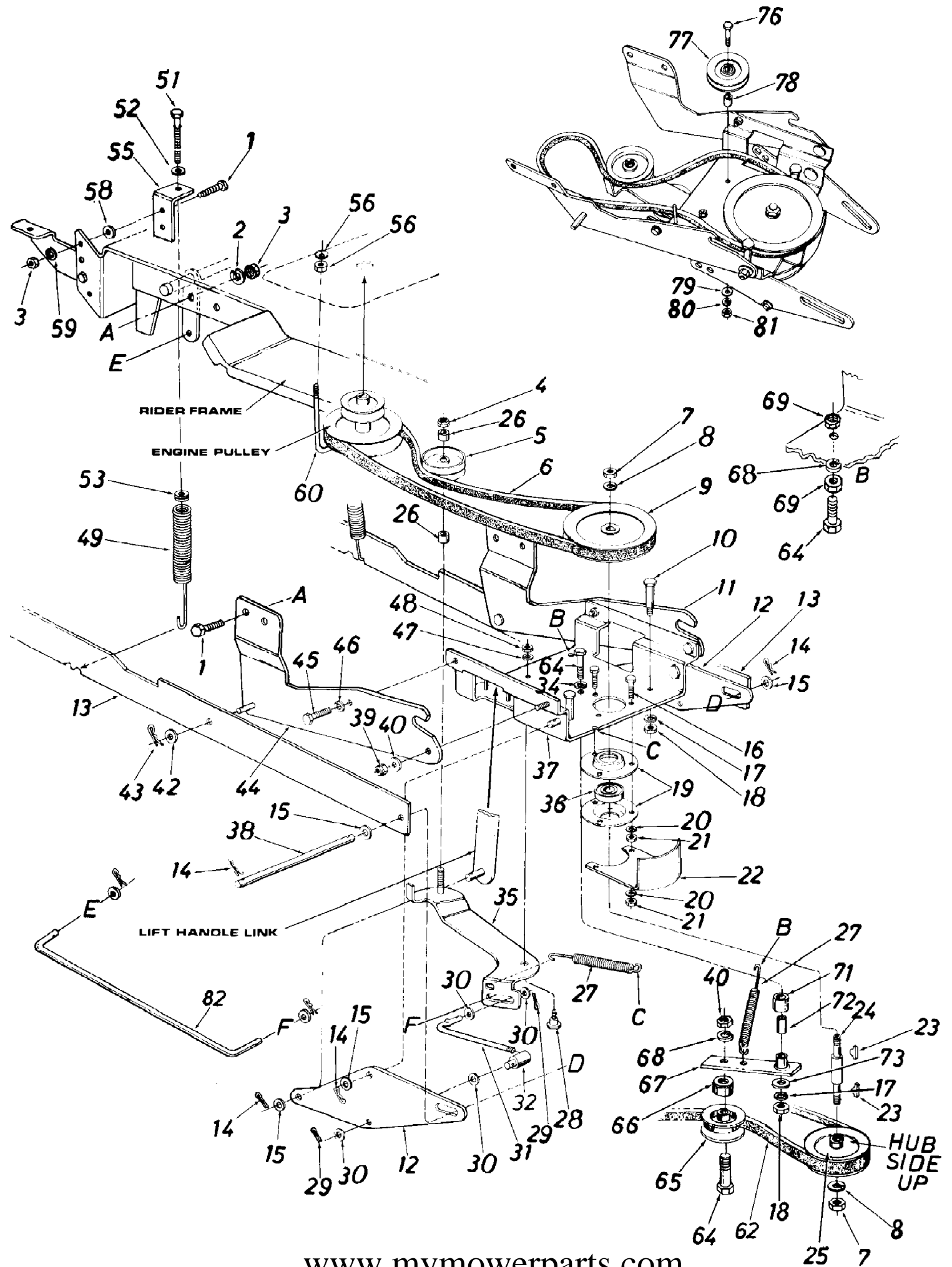
Page 2 of 6

Ref #	Part Number	Qty	S/P/F	Description
1	05225	1		Top Chute Ass'y
2	05954	1		Chute Ass'y w/Guard
3	09966	1	S	Knob Handle Ass'y.
5	710-0276	1	/P	Carriage Bolt 5/16-18x 1.0" Lg.
	710-0286	1	/P	Truss Mach Scr 1/4-20 x 50" Lg
7	710-0255	1	S	Truss Mach Scr 1/4-20 x 75" Lg.
8	712-0158	1	S	Hex Cent. L-Nut 5/16-18 Thd.
9	736-0179	1	S	Fl.-Wash. .531" I.D. x 1.25" O.D
10	736-0270	1	/P	Bell. Wash 1/4" I.D.
11	736-0231	1	S	Fl.-Wash .344" 1 D x 1.125" O.D.
12	736-0242	1	/P	Bell Wash . 345" 1 D x .88" O.D.
13	05378	1	S	Shave Place
14	710-0260	1	S	Carriage Bolt 5/16-18 x .62" Lg.
15	710-0790	1	S	Carriage Bolt 3/8-16 x .62" Lg.
16	712-0267	1	S	Hex Nut 5/16-18 Thd.'
17	712-0342	1	/P	Hex Jam Nut 3/8-16 Thd
18	736-0105	1	/P	Bell. Wash. .400" I.D. x .88" O.D.
19	736-0119	1	S	L.-Wash. 5/16" I.D.
20	784-5038	1	S	Slide Shoe
21	784-5212	1		Spiral Hsg. Ass'y.-36"
22	05139	1	S	Guide Blade
23	710-0260	1	S	Carriage Bolt 5/16-18 x .62" Lg.
24	712-0267	1	S	Hex Nut 5/16-18 Thd.
25	736-0119	1	S	L.-Wash. 5/16" I.D.
26	05379	1		Chain Guard Ass'y.
27	710-0427	1	S	Hex Bolt 3/8-16 x 2.00 Lg.
28	712-0130	1	/P	Hex Inst.-Nut 3/8-16 Thd.
29	712-0267	1	S	Hex Nut 5/16-18 Thd.
30	736-0105	1	/P	Bell.-Wash. .400" I.D. x .88 O.D.
31	736-0119	1	S	L.-Wash. 5/16" I.D.
32	736-0235	1		Fl.-Wash. .406" I.D. x 1.25" O.D.
33	736-0300	1	S	Fl-Wash. .385" I.D. x .87" O.D.
34	741-0310	1	S	Ball Brg. .75" I.D.
35	741-0311	1	S	Flangette
36	750-0252	1	S	Spacer .375" I.D. x .60" O.D.
37	756-0358	1		Fl.-Idler w/Flanges 1.875 0 O.D. Plastic
38	710-0198	1	S	Hex Sems Bolt 5/18 x .75" Lg.
39	710-0347	1	/P	Hex Bolt 3/8-16 x 1.75" 4.
40	712-0267	1	S	Hex Nut 5/16-18 Thd.
41	712-0301	1	/P	Hex Jam Nut 3/4-10 Thd.
42	712-0342	1	/P	Hex Jam Nut 3/8-16 Thd.
43	713-0188	1		Sprocket Ass'y.-14 Teeth
44	713-0369	1		#420 Chain x 1/2" Pitch- 78 Links
45	714-0388	1	S	#61 Hi-Pro-Key 3/16 x 5/8" Dia.
46	715-0118	1	S	Spring Pin Spir. 5/16" Dia. x 1 75" Lg.
47	736-0119	1	S	L.-Wash. 5/16" I.D.
48	736-0169	1	S	L.-Wash. 3/8" I.D.
49	736-0235	1		Fl.-Wash. .406" I.D. x 1.25" O.D.
50	736-0367	1	S	Spring L.-Wash. 3/4' 1 D.
51	741-0309	1	S	Self-Aligning Brg.
52	741-0311	1	S	Flangette
53	756-0417	1	S	Idler Pulley
54	756-0456	1	S	Idler Pulley 1.5" I.D x 6 0 0 O.D

190-491-190 36" Snow Thrower (1987)
Chute Assembly

Page 3 of 6

Ref #	Part Number	Qty	S/P/F	Description
55	784-5077	1		Drive Shaft Ass'y
56	05066	1		Joint Brkt Ass
57	711-0584	1		Joint Block
58	728-0147	1		Oval Head Rivet
59	715-0129	1		Spirol Pin 1 8" Dia x .812" Lg .
60	736-0140	1	S	FI Wash .385" 1 D x .62 " O D
61	747-0523	1		Chute Crank Ext Rod 3 8' Dia x 6.0 Lg
62	784-5084	1	/P	Chute Crank Ass'y R H 0 6-1/4" Lg.
63	741-0475	1	S	Plastic Bushing .380" 1 D
64	784-5085	1	S	Chute Crank Brkt
65	710-0258	1	S	Hex Bolt 1/4-20 x .62" Lg '
66	710-0599	1	/P	Hex Wash S-Tap Scr 1/4-20 x .50" Lg.
67	712-0287	1	S	Hex Nut 1/4-20 Thd
68	736-0329	1	S	L.Wash. 1/4 I.D
69	784-5214	1		Belt Cover
70	784-5215	1		Drive Shaft Cover
71	05136	1		Plastic Bushing
72	07386	1		Washer .39" I.D. x 1.75" O.D
73	710-0371	1	/P	Hex Bolt 5/16-18 x .88" Spec.
74	710-0451	1	/P	Carnage Bolt 5/16-18 x 75" Lg. '
75	712-0267	1	S	Hex Nut 5/16-18 Thd.
76	715-0118	1	S	Spring Pin Spiral 5/16" Dia. x 1.75" Lg.
77	736-0119	1	S	L. Wash. 5/16" I.D.
78	736-0163	1	S	FI Wash. 1.03" I.D. x 1.62" O.D.
79	736-0242	1	/P	Bell.-Wash. .345" I.D. x .88 O.D
80	736-0250	1	/P	Fl.-Wash. 1.0" I.D x 1 75" O D.
81	784-5216	1	S	Rotor Paddle Ass'y.
82	784-5219	1	S	36" Spiral Ass'y.-L.H
83	784-5220	1		36" Spiral Ass'y.-R.H
84	05360	1		Bearing Hsg. Ass'y.
85	716-0121	1	S	Snap Ring for 1.50" Shaft
86	741-0170	1	S	Flange Brg. w/flats 1.00" I.D.
87	713-0177	1		Sprocket Hub Ass'y. 40 Teeth
88	715-0118	1	S	Spring Pin Spir 5/16 Dia. x 1 75" Lg.
89	738-0229	1		Spiral Axle
90	731-0851	1	S	Chute Flange Keeper
91	710-0442	1	S	Hex Bolt 5/16-18 x 1.5" Lg.
92	710-0474	1	/P	Hex Bolt 1/2-13 x 1.25" Lg.
93	736-0921	1	S	L-Wash. 1/2" 1 D.
94	712-0206	1	S	Hex Nut 1/2-13 Thd
95	754-0294	1	S	"V"Belt 1/2" "A" x 89.0" Lg.
96	749-0675	1		Chute Crank Support Tubing
97	735-0218	1	S	Chute Crank Grommet
98	747-0438	1	S	Chute Crank .375" Dia. x 34.5" Lg
99	715-0138	1	S	Roll Pin .12 Dia. x .63"
100	726-0100	1	S	Push Nut 3/8" Rod
101	720-0201	1	S	Knob Black
102	05836	1		Linkage Arm
103	747-0481	1		Eve Bolt 5/16-18 x 3.0" Lg.
104	741-0322	1		Idler Spacer .377 I.D. x .624 O.D. x .840



190-491-190 36" Snow Thrower (1987)
Drive Assembly

Page 5 of 6

Ref #	Part Number	Qty	S/P/F	Description
1	710-0412	1	/P	Hex Bolt 1/4-28 x .75" Lg. Grade 5
2	736-0329	1	S	L.-Wash. 1/4" I.D.*
3	712-0138	1	S	Hex Nut 1/4-28 Thd.*
4	712-0375	1	/P	Hex Cent. L-Nut 3/8-16 Thd.
5	756-0417	1	S	Idler Pulley
6	754-0299	1	S	"V"-Belt 1/2 x 49" Lg.
7	712-0242	1	S	Hex Jam Nut 5/8-11 Thd.
8	736-0158	1	S	L-Wash 5/8" I.D.*
9	756-0216	1		6.50" O.D. x 5/8 Pulley
10	738-0129	1		Shoulder Bolt
11	05826	1		Channel Supporting Brkt.-R.H.
12	05835	1		Linkage Brkt.
13	05836	1		Linkage Arm Ass'y.
14	714-0101	1	S	Intern. Cotter Pin .50 Dia.*
15	736-0192	1	S	Fl.-Wash.
16	710-0528	1	/P	Hex Bolt 5/16 x 1.25"-Lg.
17	736-0169	1	S	L.-Wash. 3/8" I.D.*
18	712-0342	1	/P	Hex Jam Nut 3/8-16 Thd.
19	08253	1	S	Bearing Housing
20	736-0119	1	S	L.-Wash. 5/16" I . D. *
21	712-0267	1	S	Hex Nut 5/16-18 Thd.*
22	05406	1	S	Belt Guard
23	714-0388	1	S	#6 Hi-Pro-Key 3/16 x 5/8" Dia.
24	738-0246	1		Pulley Spindle
25	756-0457	1		5/8 Pulley-6.28 I.D. x 5.56 O. D.
26	750-0503	1	S	Spacer .381 3. D. x .503 O.D. x .562 Lg.
27	732-0470	1	S	Extension Spring .54O.D. x-5.25"
28	738-0140	1	S	Shoulder Bolt
29	714-0111	1	S	Cotter Pin 3/32" Dia. x 1.0"*
30	736-0300	1	S	Fl.-Wash.
31	747-0533	1	S	Control Rod (Clutch)
32	711-0723	1	S	Ferrule
34	710-0198	1	S	Hex Sems Scr. 5/16-18 x .75" Lg . *
35	05409	1	S	Clutch Idler Brkt. Assly.
36	741-0919	1	S	Ball Bearing
37	05411	1		Channel Ass'y.
38	738-0242	1		Lift Handle Shaft
39	712-0342	1	/P	Hex Jam Nut 3/8-16 Thd.
40	736-0169	1	S	L.-Wash. 3/8" I.D.*
42	736-0192	1	S	Fl.-Wash.
43	714-0101	1	S	Intern. Cotter Pin .50" Dia.*
44	05827	1	S	Channel Supporting Brkt.-L.H.
45	710-0253	1	S	Hex Bolt 3/8-16 x x 1.0" Lg. *
46	736-0169	1	S	L.-Wash, 3/8" I.D.*
47	736-0119	1	S	L.-Wash. 5/16" I.D.*
48	712-0267	1	S	Hex Nut 5/16-18 Thd.*
49	732-0323	1		Helper Spring
51	710-0646	1	S	Hex Scr. 5/16-18 x 2.0" Lg. Special
52	736-0242	1	/P	Bell Wash. .345 I.D. x .88 O.D. x .06
53	711-0509	1		Spring Insert
55	05933	1		Helper Spring Bracket
56		1		Parts on Tractor
58	736-0176			www.mymowerparts.com 1" I.D.

190-491-190 36" Snow Thrower (1987)
Drive Assembly

Page 6 of 6

Ref #	Part Number	Qty	S/P/F	Description
59	736-0329	1	S	L.-Wash. 1/4" I.D.*
60	710-0836	1		J-Bolt 5/16-18 Thd.
62	754-0294	1	S	"V"-Belt 1/2 "A" x .89" Lg.
64	710-0427	1	S	Hex Bolt 3/8-16 x 2.0" Lg. *
65	756-0417	1	S	Idler Pulley
66	750-0503	1	S	Spacer .385 I.D. x .503 O.D. x .562" Lg.
67	703-1292	1	S	Idler Arm Ass'y.
68	736-0169	1	S	L.-Wash. 3/8" I.D.*
69	712-0342	1	/P	Hex Jam Nut 3/8-16 Thd.
71	711-0242	1	S	Spacer .380" I.D. x 1.0" O.D.
72	750-0252	1	S	Spacer .3775 I.D. x .60 O.D. x 8.3 Lg.
73	736-0258	1	/P	Fl.-Wash. 3/8 I.D. x 1" O.D x 1.27
76	710-0859	1	/P	Hex Bolt 3/8-16 x 2.5" Lg. (Grade 5)
77	756-0116	1	S	Idler Pulley .38 I.D. x-3.06 O.D.
78	711-0396	1	/P	Spacer .385 I. D. x .630 O.D. x .76 Lg.
79	07386	1		Fl.-Wash. .39 I.D. x 1-3/4 O.D. x 3/16"
80	736-0169	1	S	L-Wash. 3/8" I.D.*
81	712-0798	1	/P	Hex Nut 3/8-16 Thd.*
	726-0228	1	S	Cable Tie (Not Shown)
	14632	1		Index Brkt. (Hardened) (Ref. A on Pg. 3)
	14802	1	S	Lift Link (Not Shown)